

## Multimar 25 EWRI

Digital universal calipers



## FUNCTIONS

- ON/OFF
- AUTO-ON / OFF
- HOLD (storage of measured values)
- RESET (set display to zero)
- PRESET (for entering a numerical value)
- Reversal of counting direction
- mm/inch
- LOCK function (key lock)
- DATA (data transmission)

## FEATURES

- Can be customized to the measuring task thanks to modular accessories (optional)
- Digital display can always be read as the measuring elements can be installed on the top or bottom
- The application range can be extended by turning the measuring arms
- The two arm holders can be moved along the rail for optimal balance, which is particularly practical with small dimensions
- Slide and rail are made of hardened stainless steel
- **Data interface:** Integrated wireless
- **IP protection category:** IP 65
- **Software:** MarCom Professional free download: [www.mahr.com/marcom](http://www.mahr.com/marcom) (only for Mahr data cables and wireless systems with USB and RS-232 interface)
- **Energy supply:** Battery life approx. 3 years (approx. 0.5 in wireless mode)
- **Battery type:** CR 2032 (3V Lithium)



## Application:

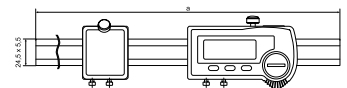
For measuring:

- Outer and inner diameters
- Centering shoulders
- Narrow collars
- Outer and inner tapers
- Dovetails
- Recesses
- Bore distances

## TECHNICAL DATA

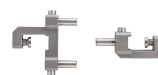
Order no.	a	Type	Application range outside	Resolution	Error limit
	mm		mm	mm/inch	mm
4119050	480	25 EWRI	0 –300	0,01 / .0005"	0,03
4119051	790	25 EWRI	0 –600	0,01 / .0005"	0,03
4119052	1200	25 EWRI	0 –1000	0,01 / .0005"	0,04
4119053	1450	25 EWRI	0 –1250	0,01 / .0005"	0,04

Order no	a
	mm
4119050	480
4119051	790
4119052	1200
4119053	1450



## ACCESSORIES

Order no.	Description	Type
4102220	Receiver for instruments with Integrated Wireless	i-Stick
4102520	Battery 3 V, CR 2032	
4118520	Setting gage	25 Eel
4119010	Measuring tips for drill hole intervals, Ø 2–20 mm	25 Eba
4119011	Measuring tips for drill hole intervals, Ø 10–40 mm	25 Eba
4503020	Case for accessories	844 Tzb
4503024	Measuring arms, 25 mm	844 Te
4503025	Measuring arms, 35 mm	844 Te
4503026	Measuring arms, 70 mm	844 Te
4503027	Measuring arms, 100 mm	844 Te
4503030	Mounting attachment	844 Tma
4503031	Mounting attachment	844 Tmi
4503109	Depth stops for 844 Tma, 844 Tmi, 844 Te	844 Tw



# Multimar 25 EWR

## Digital Universal Calipers



### FUNCTIONS

- ON/OFF
- AUTO-ON / OFF
- RESET (set display to zero)
- mm/inch
- PRESET (for entering a numerical value)
- LOCK function (key lock)
- DATA (data transmission via connection cable)

### FEATURES

- For easy adaptation to individual measuring tasks, optional accessories include:
  - Interchangeable measuring arms
  - Contact blocks
  - Stop elements
- The digital display is always in the operator's line of vision due to the patented mounting fixture of the measuring elements provided on the upper and lower longitudinal face of the arm holders
- Application range can be extended by turning the measuring arms
- The two arm holders can be moved along the rail, providing a well-balanced weight distribution, even with small dimensions
- Hardened stainless steel slide and rail
- **Data interface:** USB, Digimatic, Opto RS232C, Wireless
- **Energy supply:** Battery life approx. 3 years
- **IP protection category:** IP 65
- **Package contains:** battery, instruction manual, mounting and resting blocks, wooden case, without arms/attachments and anvils
- Software MarCom Professional free download: [www.mahr.com/marcom](http://www.mahr.com/marcom) (only for Mahr data cables and wireless systems with USB and RS232 interface)



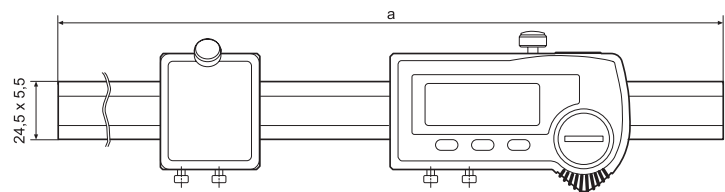
### Application:

- For measuring:
  - Outside and inside diameters
  - Centering shoulders
  - Narrow collars
  - External and internal tapers
  - Dovetails
  - Grooves
  - Distances between hole centers

### TECHNICAL DATA

Order no.	4119000	4119001	4119002	4119003	
Product type	25 EWR				
Application range outside	mm	0 - 300	0 - 600	0 - 1000	0 - 1250
Resolution	mm/inch	0.01 / .0005"			
Error limit	mm	0.03		0.04	

Order no.	a
	mm
4119000	480
4119001	790
4119002	1200
4119003	1450



### ACCESSORIES

Order no.	Product name	Quantity	unit	Product type
4102520	Battery 3 V, CR 2032			
4102915	Digimatic data cable (2 m)			16 EWd
4102410	Data connection cable RS232C (2 m)			16 EXr
4102357	16 EXu Data connection cable USB (2 m)			16 EXu
4102231	16 EWe Transmitter for e-Stick			16 EWe
4118520	Setting gage			25 Eel
4503030	Mounting attachment	Pair		844 Tma
4503031	Mounting attachment	Pair		844 Tmi
4503024	Measuring arms, 25 mm	Pair		844 Te
4503025	Measuring arms, 35 mm	Pair		844 Te
4503026	Measuring arms, 70 mm	Pair		844 Te
4503027	Measuring arms, 100 mm	Pair		844 Te
4503109	Depth stops for 844 Tma, 844 Tmi, 844 Te	Pair		844 Tw
4119010	Measuring tips for drill hole intervals, Ø 2-20 mm	Piece		25 Eba
4119011	Measuring tips for drill hole intervals, Ø 10-40 mm	Piece		25 Eba
4503020	Case for accessories			844 Tzb



16 EWe



844 Tma



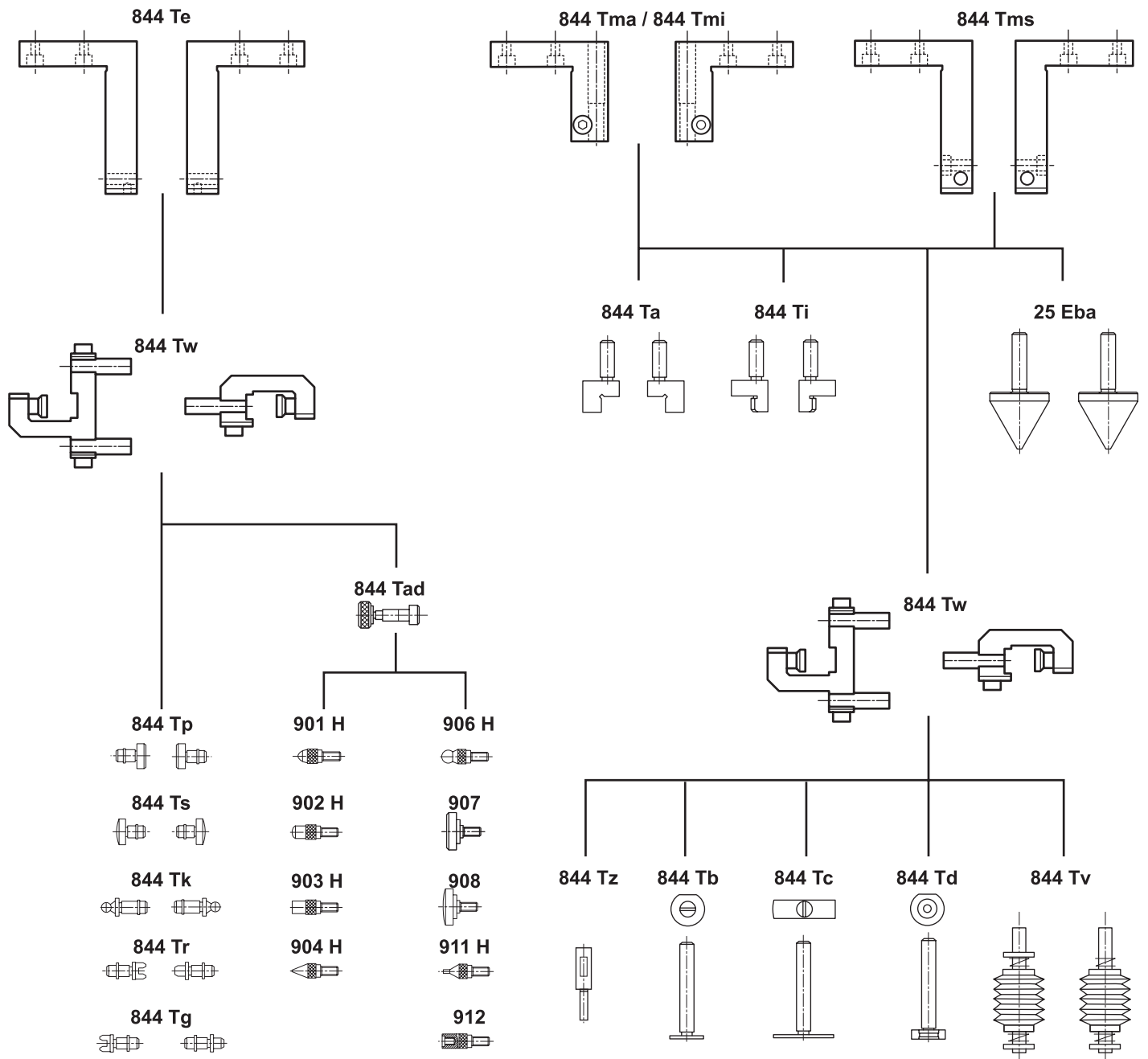
844 Tw



25 Eba

# Multimar 25 EWR

Digital Universal Calipers



# Dimentron® Plug Gages

The Dimentron® System - Built for Performance



Dimentron® Plug Assembly — shown with Maxum®III Indicator, Housing and Handle

The Dimentron plug gage, which makes up the plug body, the panto-assembly, its contacts and transfer rod, is the measuring system comprising the Dimentron plug. It can be interchanged by simply unscrewing it from the display assembly.

The **plug body** is made of tough hardened 440 stainless steel, tempered and ground. Introduction into the bore is facilitated with 52-56 HRC hardness guide.

Standard **contacts** are made of tungsten carbide and based on the bore diameter range, come in two possible radii. Other contact materials are available based on the part being measured. Diamond, ruby or hard-chrome-covered contacts are also available. Diamond or ruby contacts are suggested for soft aluminum or highly wearing applications; hard chromed ones (1000 HV) for aluminum and relevant alloys. Also based on the thickness of the surface, cylindrical contacts options are available.

Either 2 or 4 steel spring assemblies **form panto-spring assemblies**. The design of the transfer assembly is determined by the diameter of the plug. This panto-design produces true straight-line transfer to the V-rod.

A **transfer rod**, with spherical tungsten carbide tip, slides on a tempered steel V-shaped guide and inclined plane, transferring the measurement to the display device. This unique floating system has been designed and tested to resist for over 10.000.000 measuring cycles.

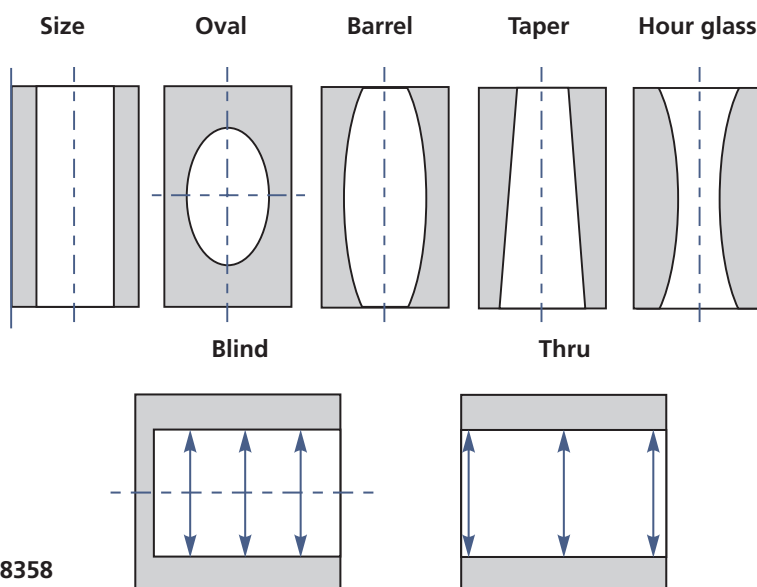
Though designed for the toughest shop conditions, wear items do occasionally need replacement. Because of the individual components **service is fast and easy**. All parts are available separately from Mahr and with standard tools, can be replaced in minutes to help maintain up time on the floor.



Special depth gaging applications

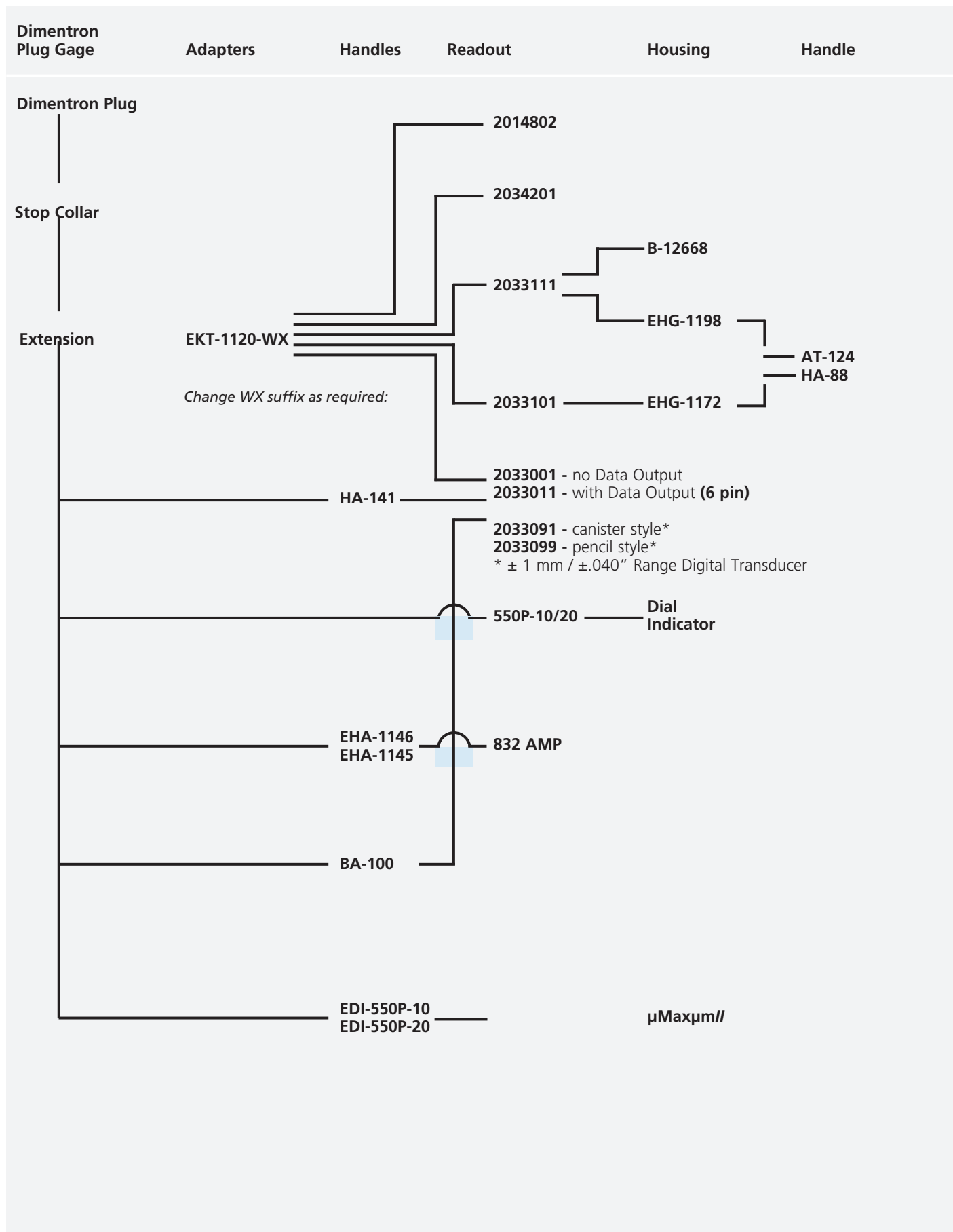


Shown with bench stand 2239307 & plug holder 2248358



## Dimentron® Plug Inside Diameter Gages

The following table depicts available readouts for Dimentron Plug Inside Diameter Gages. After making a Plug selection, follow the chart for all the components needed to compose a gaging system suited to your application.



# MaraMeter Dimentron

## Indicating Plug Gage for Through Hole

### FEATURES

- Designed for high production ID gaging
- High chrome content; hardened stainless steel bodies ground precisely for specified size measurement
- Plug tooling interchangeable for quick changeover
- Easy measurement - insert plug into diameter and read (no rocking needed)
- Set to nominal dimension with a single master ring
- Long Life
  - Tungsten carbide contacts and V-Rod ensure durable motion transfer
  - Open design is conducive to easy rinse cleaning
- Good for determining bore conditions for:
  - Taper
  - Barrel shape
  - Bell mouth
  - 2-point out-of-round
- Stop collars available for all standard sizes
- Captive V-Rod design



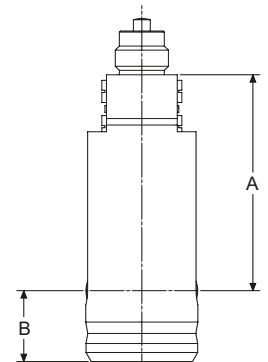
### TECHNICAL DATA

Order no.	Product type	Nominal size		Max. tolerance		Max. tolerance		Max. tolerance		Max. tolerance	
		mm	inch	M01	050	M02	100	M05	200	M08	400
2057604	Dimentron	3.200 -5.500	.12500 -.21700"	± 0.025	± .0010"	± 0.038	± .0015"				
2057605	Dimentron	5.001 -8.200	.21705 -0.3220"	± 0.025	± .0010"	± 0.046	± .0018"	± 0.076	± .0030"		
2057606	Dimentron	8.201 -9.500	0.3225 -.37500"	± 0.025	± .0010"	± 0.046	± .0018"	± 0.069	± .0027"	± 0.102	± .0040"
2057607	Dimentron	9.501 -12.700	.37505 -.50000"	± 0.030	± .0012"	± 0.051	± .0020"	± 0.069	± .0027"	± 0.127	± .0050"
2057608	Dimentron	12.701 -19.050	.50005 -.75000"	± 0.038	± .0015"	± 0.058	± .0023"	± 0.086	± .0034"	± 0.137	± .0054"
2057609	Dimentron	19.051 -25.000	.75005 -1.00000"	± 0.038	± .0015"	± 0.069	± .0027"	± 0.102	± .0040"	± 0.165	± .0065"
2057610	Dimentron	25.001 -38.000	1.00005 -1.50000"	± 0.038	± .0015"	± 0.076	± .0030"	± 0.127	± .0050"	± 0.180	± .0071"
2057611	Dimentron	38.001 -63.5	1.50000 - 2.50000"			± 0.076	± .0030"	± 0.152	± .0060"	± 0.254	± .0100"
2057612	Dimentron	63.5 -76.2	2.500 -3.000"			± 0.076	± .0030"	± 0.152	± .0060"	± 0.254	± .0100"
2057613	Dimentron	76.2 -88.9	3.000 -3.500"			± 0.076	± .0030"	± 0.152	± .0060"	± 0.254	± .0100"
2057614	Dimentron	88.9 -101.6	3.500 -4.000"			± 0.076	± .0030"	± 0.152	± .0060"	± 0.254	± .0100"
2057615	Dimentron	101.6 -114.3	4.000 -4.500"			± 0.076	± .0030"	± 0.152	± .0060"	± 0.254	± .0100"
2057616	Dimentron	114.3 -139.7	4.500 -5.500"					± 0.152	± .0060"	± 0.254	± .0100"
2057617	Dimentron	139.7 -165.1	5.500 -6.500"					± 0.152	± .0060"	± 0.254	± .0100"
2057618	Dimentron	165.1 -203.2	6.500 -8.000"					± 0.152	± .0060"	± 0.254	± .0100"
2057619	Dimentron	203.2 -228.6	8.000 -9.000"					± 0.152	± .0060"	± 0.254	± .0100"

# MaraMeter Dimentron

## Indicating Plug Gage for Through Hole

Order no.	Nominal size		A	Dimension A		B	Dimension B	
	mm	inch		mm	inch		mm	inch
2057604	3.200 – 5.500	.12500 – .21700"	31.4	1.23"	6.40	.25"		
2057605	5.001 – 8.200	.21705 – 0.3220"	34.8	1.37"	6.50	.256"		
2057606	8.201 – 9.500	0.3225 – .37500"	34.8	1.37"	6.50	.256"		
2057607	9.501 – 12.700	.37505 – .50000"	35.4	1.39"	13.00	.512"		
2057608	12.701 – 19.050	.50005 – .75000"	35.4	1.39"	13.00	.512"		
2057609	19.051 – 25.000	.75005 – 1.00000"	48.3	1.90"	16.00	.63"		
2057610	25.001 – 38.000	1.00005 – 1.50000"	48.3	1.90"	16.00	.63"		
2057611	38.000 – 63.000	1.50000 – 2.50000"	46.7	1.84"	19	.748"		
2057612– 2057615	63.000 – 114.300	2.50000 – 4.50000"	46.7	1.84"	19	.748"		
2057616– 2057619	114.300 – 228.300	4.50000 – 9.00000"	46.7	1.84"	9.5	.375"		



### ACCESSORIES

Order no.	Product name	Type
4337620	Digital indicator, 0.0005 mm, 12.5 mm	1086 R
4337624	Digital indicator, 0.0005 mm, 12.5 mm	1086 Ri
4337660	Digital indicator, 0.0005 mm, 12.5 mm	1087 R
4337663	Digital indicator, 0.0005 mm, 12.5 mm	1087 Ri
2050829	Bore gage handle with indicator 221, grad. .0001"	550P–10
2050830	Bore gage handle with indicator P11, grad. 0,002 mm	550P–20
2203139	Adapter for handle HA–88	AT–124
2203140	Adapter for mounting Maxµm III with protective housing to bench stand BA–26	AT–125
2204032	Protective housing for Maxµm III with output	B–12668
2204599	Base with tooling plate, plug to be mounted vertically or horizontally	BA–100
2051697	Bore gage handle with digital indicator µMaxum II, res. 0,001mm / .00005"	EDI–550P–10
2051698	Bore gage handle with digital indicator µMaxum II, res. 0,0005mm / .00002"	EDI–550P–20
2213388	Handle assembly (inductive probe, HA–88 handle, AD–140 Adapter) with 1,5m/5ft. straight cable	EHA–1145
2213389	Handle assembly (inductive probe, HA–88 handle, AD–140 Adapter) with 3m/11ft. coiled cable	EHA–1146
2214119	Adapter set to mount Maxµm III indicator with 3/8" stem to a Dimentron plug	EKT–1120–W1
2214120	Adapter set to mount Maxµm III indicator with 8 mm stem to a Dimentron plug	EKT–1120–W2
2214121	Adapter set to mount dial indicators or µMaxum II with 3/8" stem to a Dimentron plug	EKT–1120–W3
2214122	Adapter set to mount dial indicators or µMaxum II with 8 mm stem to a Dimentron plug	EKT–1120–W4
2214124	Adapter set to mount dial comparators 1002 – 1010 with 8 mm stem to a Dimentron plug	EKT–1120–W6
2218595	Depth extension 50mm / 1.97" for plug diameter 9,5 – 19,05mm / .375 – .75"	EX–204
2218596	Depth extension 100mm / 3.94" for plug diameter 9,5 – 19,05mm / .375 – .75"	EX–205
2218597	Depth extension 200mm / 7.87" for plug diameter 9,5 – 19,05mm / .375 – .75"	EX–206
2218600	Depth extension 50mm / 1.97" for plug diameter 19,05mm / .75" and above	EX–210
2218601	Depth extension 100mm / 3.94" for plug diameter 19,05mm / .75" and above	EX–211
2218602	Depth extension 200mm / 7.87" for plug diameter 19,05mm / .75" and above	EX–212
2220037	Handle for Maxµm III digital transducers	HA–141
2220100	Handle to be mounted on protective housings EHG–1172 and EHG–1198 via Adapter AT–124	HA–88
2033101	Inductive digital comparator, ±1 mm/± .040", no output	Maxµm III
2033111	Inductive digital comparator, ±1 mm/± .040", with output (6-pin)	Maxµm III
2033201	Inductive digital comparator, ± mm/± .040", with data output (6-pin), "0" at 6 o'clock position	Maxµm III



Maxµm III



1086 R; 1086 R-HR; 1086 ZR



1086 Ri



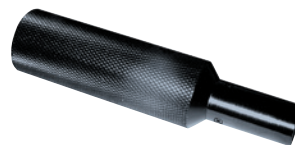
1087 R; 1087 R-HR; 1087 ZR



1087 Ri



EDI-550P-10



HA-141



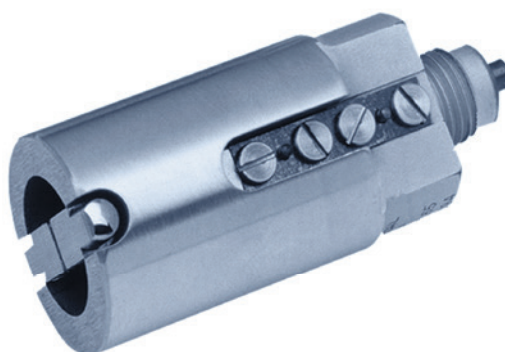
BA-100

# MaraMeter Dimentron

## Indicating Plug Gage for Through Hole

### FEATURES

- Designed for high production ID gaging
- High chrome content; hardened stainless steel bodies ground precisely for specified size measurement
- Plug tooling interchangeable for quick changeover
- Easy measurement - insert plug into diameter and read (no rocking needed)
- Set to nominal dimension with a single master ring
- Long Life
  - Tungsten carbide contacts and V-Rod ensure durable motion transfer
  - Open design is conducive to easy rinse cleaning
- Good for determining bore conditions for:
  - Taper
  - Barrel shape
  - Bell mouth
  - 2-point out-of-round
- Stop collars available for all standard sizes
- Captive V-Rod design



### TECHNICAL DATA

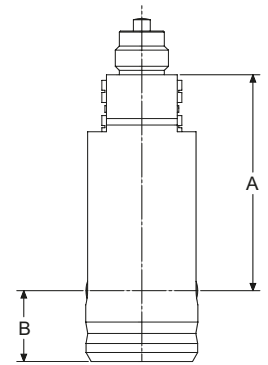
Order no.	Product type	Nominal size		Max. tolerance		Max. tolerance		Max. tolerance		Max. tolerance	
		mm	inch	mm	inch	mm	inch	mm	inch	mm	inch
2057620	Dimentron	3.180	.12500	± 0.025	± .0010"	± 0.038	± .0015"				
		-3.620	-.14260"								
		3.621	.14265	± 0.025	± .0010"	± 0.046	± .0018"	± 0.076	± .0030"		
		-5.500	-.21700"								
2057621	Dimentron	5.501	.21705	± 0.025	± .0010"	± 0.046	± .0018"	± 0.069	± .0027"	± 0.102	± .0040"
		-7.940	-.31250"								
		7.941	.31255	± 0.030	± .0012"	± 0.051	± .0020"	± 0.069	± .0027"	± 0.127	± .0050"
		-8.200	-.32200"								
2057622	Dimentron	8.201	.32205	± 0.030	± .0012"	± 0.051	± .0020"	± 0.069	± .0027"	± 0.127	± .0050"
2057623	Dimentron	9.501	.37505	± 0.038	± .0015"	± 0.058	± .0023"	± 0.086	± .0034"	± 0.137	± .0054"
2057624	Dimentron	12.701	.50005	± 0.038	± .0015"	± 0.069	± .0027"	± 0.102	± .0040"	± 0.165	± .0065"
2057625	Dimentron	19.051	.75005	± 0.038	± .0015"	± 0.076	± .0030"	± 0.127	± .0050"	± 0.180	± .0071"
2057626	Dimentron	25.401	1.00005	± 0.038	± .0015"	± 0.076	± .0030"	± 0.152	± .0060"	± 0.221	± .0087"
2057627	Dimentron	38.001 - 63.5	1.50000 - 2.50000"			± 0.076	± .0030"	± 0.152	± .0060"	± 0.254	± .0100"
2057628	Dimentron	63.5 - 76.2	2.500 - 3.000"			± 0.076	± .0030"	± 0.152	± .0060"	± 0.254	± .0100"
2057629	Dimentron	76.2 - 88.9	3.000 - 3.500"			± 0.076	± .0030"	± 0.152	± .0060"	± 0.254	± .0100"
2057630	Dimentron	88.9 - 101.6	3.500 - 4.000"			± 0.076	± .0030"	± 0.152	± .0060"	± 0.254	± .0100"
2057631	Dimentron	101.6 - 114.3	4.000 - 4.500"			± 0.076	± .0030"	± 0.152	± .0060"	± 0.254	± .0100"
2057632	Dimentron	114.3 - 139.7	4.500 - 5.500"					± 0.152	± .0060"	± 0.254	± .0100"
2057633	Dimentron	139.7 - 165.1	5.500 - 6.500"					± 0.152	± .0060"	± 0.254	± .0100"
2057634	Dimentron	165.1 - 203.2	6.500 - 8.000"					± 0.152	± .0060"	± 0.254	± .0100"
2057635	Dimentron	203.2 - 228.6	8.000 - 9.000"					± 0.152	± .0060"	± 0.254	± .0100"



# MaraMeter Dimentron

## Indicating Plug Gage for Through Hole

Order no.	Nominal size		A mm	Dimen- sion A inch	B mm	Dimen- sion B inch
	mm	inch				
2057620	3.180 –5.500	.12500 –.21700"	31.4	1.23"	4	.157"
2057621	5.501 –8.200	.21705 –0.3220"	34.8	1.37"	4	.157"
2057622	8.201 –9.500	0.3225 –.37500"	34.8	1.37"	4	.157"
2057623	9.501 –12.700	.37505 –.50000"	35.4	1.39"	4	.157"
2057624	12.701 –19.050	.50005 –.75000"	35.4	1.39"	4	.157"
2057625	19.051 –25.400	.75005 –1.00000"	48.3	1.90"	4	.157"
2057626	25.401 –38.000	1.00005 –1.50000"	48.3	1.90"	4	.157"
2057627	38.000 – 63.000	1.50000 – 2.50000"	46.7	1.84"	4	.157"
2057628– 2057635	63.000 – 114.300	2.50000 – 4.50000"	46.7	1.84"	4	.157"
	114.300 – 228.300	4.50000 – 9.00000"	46.7	1.84"	4	.157"



### ACCESSORIES

Order no.	Product name	Type
4337620	Digital indicator, 0.0005 mm, 12.5 mm	1086 R
4337624	Digital indicator, 0.0005 mm, 12.5 mm	1086 Ri
4337660	Digital indicator, 0.0005 mm, 12.5 mm	1087 R
4337663	Digital indicator, 0.0005 mm, 12.5 mm	1087 Ri
2050829	Bore gage handle with indicator 221, grad. .0001"	550P–10
2050830	Bore gage handle with indicator P11, grad. 0,002 mm	550P–20
2203139	Adapter for handle HA–88	AT–124
2203140	Adapter for mounting Maxµm III with protective housing to bench stand BA–26	AT–125
2204032	Protective housing for Maxµm III with output	B–12668
2204599	Base with tooling plate, plug to be mounted vertically or horizontally	BA–100
2051697	Bore gage handle with digital indicator µMaxum II, res. 0,001mm / .00005"	EDI–550P–10
2051698	Bore gage handle with digital indicator µMaxum II, res. 0,0005mm / .00002"	EDI–550P–20
2213388	Handle assembly (inductive probe, HA–88 handle, AD–140 Adapter) with 1,5m/5ft. straight cable	EHA–1145
2213389	Handle assembly (inductive probe, HA–88 handle, AD–140 Adapter) with 3m/11ft. coiled cable	EHA–1146
2214119	Adapter set to mount Maxµm III indicator with 3/8" stem to a Dimentron plug	EKT–1120–W1
2214120	Adapter set to mount Maxµm III indicator with 8 mm stem to a Dimentron plug	EKT–1120–W2
2214121	Adapter set to mount dial indicators or µMaxum II with 3/8" stem to a Dimentron plug	EKT–1120–W3
2214122	Adapter set to mount dial indicators or µMaxum II with 8 mm stem to a Dimentron plug	EKT–1120–W4
2214124	Adapter set to mount dial comparators 1002 –1010 with 8 mm stem to a Dimentron plug	EKT–1120–W6
2218595	Depth extension 50mm / 1.97" for plug diameter 9,5 –19,05mm / .375 –.75"	EX–204
2218596	Depth extension 100mm / 3.94" for plug diameter 9,5 –19,05mm / .375 –.75"	EX–205
2218597	Depth extension 200mm / 7.87" for plug diameter 9,5 –19,05mm / .375 –.75"	EX–206
2218600	Depth extension 50mm / 1.97" for plug diameter 19,05mm / .75" and above	EX–210
2218601	Depth extension 100mm / 3.94" for plug diameter 19,05mm / .75" and above	EX–211
2218602	Depth extension 200mm / 7.87" for plug diameter 19,05mm / .75" and above	EX–212
2220037	Handle for Maxµm III digital transducers	HA–141
2220100	Handle to be mounted on protective housings EHG–1172 and EHG–1198 via Adapter AT–124	HA–88
2033101	Inductive digital comparator, ±1 mm/± .040", no output	Maxµm III
2033111	Inductive digital comparator, ±1 mm/± .040", with output (6-pin)	Maxµm III
2033201	Inductive digital comparator, ± mm/± .040", with data output (6-pin), "0" at 6 o'clock position	Maxµm III



Maxµm III



1086 R; 1086 R-HR; 1086 ZR



1086 Ri



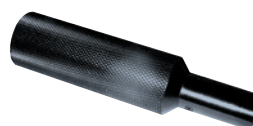
1087 R; 1087 R-HR; 1087 ZR



1087 Ri



EDI-550P-10



HA-141



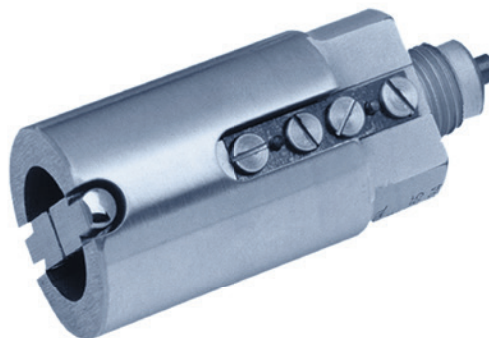
BA-100

# MaraMeter Dimentron

## Indicating Plug Gage for Through Hole

### FEATURES

- Designed for high production ID gaging
- High chrome content; hardened stainless steel bodies ground precisely for specified size measurement
- Plug tooling interchangeable for quick changeover
- Easy measurement - insert plug into diameter and read (no rocking needed)
- Set to nominal dimension with a single master ring
- Long Life
  - Tungsten carbide contacts and V-Rod ensure durable motion transfer
  - Open design is conducive to easy rinse cleaning
- Good for determining bore conditions for:
  - Taper
  - Barrel shape
  - Bell mouth
  - 2-point out-of-round
- Stop collars available for all standard sizes
- Captive V-Rod design



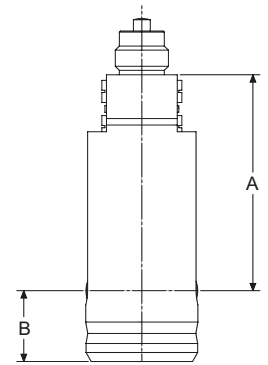
### TECHNICAL DATA

Order no.	Product type	Nominal size		Max. tolerance		Max. tolerance		Max. tolerance		Max. tolerance	
		mm	inch	mm	inch	mm	inch	mm	inch	mm	inch
2058545	Dimentron	5.501	.21705	± 0.025	± .0010"	± 0.046	± .0018"	± 0.069	± .0027"	± 0.102	± .0040"
		-7.940	-.31250"								
		7.941	.31255	± 0.030	± .0012"	± 0.051	± .0020"	± 0.069	± .0027"	± 0.127	± .0050"
		-8.200	-.32200"								
2058546	Dimentron	8.201	.32205	± 0.030	± .0012"	± 0.051	± .0020"	± 0.069	± .0027"	± 0.127	± .0050"
		-9.500	-.37500"								
2058547	Dimentron	9.501	.37505	± 0.038	± .0015"	± 0.058	± .0023"	± 0.086	± .0034"	± 0.137	± .0054"
		-12.700	-.50000"								
2058548	Dimentron	12.701	.50005	± 0.038	± .0015"	± 0.069	± .0027"	± 0.102	± .0040"	± 0.165	± .0065"
		-19.050	-.75000"								
2058549	Dimentron	19.051	.75005	± 0.038	± .0015"	± 0.076	± .0030"	± 0.127	± .0050"	± 0.180	± .0071"
		-25.400	-1.00000"								
2058550	Dimentron	25.401	1.00005	± 0.038	± .0015"	± 0.076	± .0030"	± 0.152	± .0060"	± 0.221	± .0087"
		-38.000	-1.50000"								
2058551	Dimentron	38.001	1.50005			± 0.076	± .0030"	± 0.152	± .0060"	± 0.254	± .0100"
		-63.5	-2.50000"								
2058552	Dimentron	63.5	2.50005			± 0.076	± .0030"	± 0.152	± .0060"	± 0.254	± .0100"
		-76.2	-3.00000"								
2058553	Dimentron	76.2	3.00005			± 0.076	± .0030"	± 0.152	± .0060"	± 0.254	± .0100"
		-88.9	-3.50000"								
2058554	Dimentron	88.9	3.50005			± 0.076	± .0030"	± 0.152	± .0060"	± 0.254	± .0100"
		-101.6	-4.00000"								
2058555	Dimentron	101.6	4.00005			± 0.076	± .0030"	± 0.152	± .0060"	± 0.254	± .0100"
		-114.3	-4.50000"								
2058556	Dimentron	114.3	4.50005					± 0.152	± .0060"	± 0.254	± .0100"
		-139.7	-5.50000"								
2058557	Dimentron	139.7	5.50005					± 0.152	± .0060"	± 0.254	± .0100"
		-165.1	-6.50000"								
2058558	Dimentron	165.1	6.50005					± 0.152	± .0060"	± 0.254	± .0100"
		-203.2	-8.00000"								
2058559	Dimentron	203.2	8.00005					± 0.152	± .0060"	± 0.254	± .0100"
		-228.6	-9.00000"								

# MaraMeter Dimentron

## Indicating Plug Gage for Through Hole

Order no.	Nominal size		A	Dimension A		B	Dimension B	
	mm	inch		mm	inch		mm	inch
2058545	5.501 – 8.200	.21705 – 0.3220"	34.8	1.37"	2	.08"		
	8.201 – 9.500	0.3225 – .37500"						
2058546	9.501 – 12.700	.37505 – .50000"	35.4	1.39"	2	.08"		
2058547	12.701 – 19.050	.50005 – .75000"	35.4	1.39"	2	.08"		
2058548	19.051 – 25.400	.75005 – 1.00000"	48.3	1.90"	2	.08"		
2058549	25.401 – 38.000	1.00005 – 1.50000"	48.3	1.90"	2	.08"		
2058550	38.000 – 63.000	1.50000 – 2.50000"	46.7	1.84"	2	.08"		
2058551– 2058555	63.000 – 114.300	2.50000 – 4.50000"	46.7	1.84"	2	.08"		
2058556– 2058559	114.300 – 228.300	4.50000 – 9.00000"	46.7	1.84"	2	.08"		



### ACCESSORIES

Order no.	Product name	Type
4337620	Digital indicator, 0.0005 mm, 12.5 mm	1086 R
4337624	Digital indicator, 0.0005 mm, 12.5 mm	1086 Ri
4337660	Digital indicator, 0.0005 mm, 12.5 mm	1087 R
4337663	Digital indicator, 0.0005 mm, 12.5 mm	1087 Ri
2050829	Bore gage handle with indicator 221, grad. .0001"	550P–10
2050830	Bore gage handle with indicator P11, grad. 0,002 mm	550P–20
2203139	Adapter for handle HA–88	AT–124
2203140	Adapter for mounting Maxµm III with protective housing to bench stand BA–26	AT–125
2204032	Protective housing for Maxµm III with output	B–12668
2204599	Base with tooling plate, plug to be mounted vertically or horizontally	BA–100
2051697	Bore gage handle with digital indicator µMaxum II, res. 0,001mm / .00005"	EDI–550P–10
2051698	Bore gage handle with digital indicator µMaxum II, res. 0,0005mm / .00002"	EDI–550P–20
2213388	Handle assembly (inductive probe, HA–88 handle, AD–140 Adapter) with 1,5m/5ft. straight cable	EHA–1145
2213389	Handle assembly (inductive probe, HA–88 handle, AD–140 Adapter) with 3m/11ft. coiled cable	EHA–1146
2214119	Adapter set to mount Maxµm III indicator with 3/8" stem to a Dimentron plug	EKT–1120–W1
2214120	Adapter set to mount Maxµm III indicator with 8 mm stem to a Dimentron plug	EKT–1120–W2
2214121	Adapter set to mount dial indicators or µMaxum II with 3/8" stem to a Dimentron plug	EKT–1120–W3
2214122	Adapter set to mount dial indicators or µMaxum II with 8 mm stem to a Dimentron plug	EKT–1120–W4
2214124	Adapter set to mount dial comparators 1002 – 1010 with 8 mm stem to a Dimentron plug	EKT–1120–W6
2218595	Depth extension 50mm / 1.97" for plug diameter 9,5 – 19,05mm / .375 – .75"	EX–204
2218596	Depth extension 100mm / 3.94" for plug diameter 9,5 – 19,05mm / .375 – .75"	EX–205
2218597	Depth extension 200mm / 7.87" for plug diameter 9,5 – 19,05mm / .375 – .75"	EX–206
2218600	Depth extension 50mm / 1.97" for plug diameter 19,05mm / .75" and above	EX–210
2218601	Depth extension 100mm / 3.94" for plug diameter 19,05mm / .75" and above	EX–211
2218602	Depth extension 200mm / 7.87" for plug diameter 19,05mm / .75" and above	EX–212
2220037	Handle for Maxµm III digital transducers	HA–141
2220100	Handle to be mounted on protective housings EHG–1172 and EHG–1198 via Adapter AT–124	HA–88
2033101	Inductive digital comparator, ±1 mm/± .040", no output	Maxµm III
2033111	Inductive digital comparator, ±1 mm/± .040", with output (6-pin)	Maxµm III
2033201	Inductive digital comparator, ± mm/± .040", with data output (6-pin), "0" at 6 o'clock position	Maxµm III



Maxµm III



1086 R; 1086 R-HR; 1086 ZR



1086 Ri



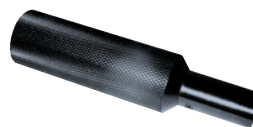
1087 R; 1087 R-HR; 1087 ZR



1087 Ri



EDI-550P-10



HA-141



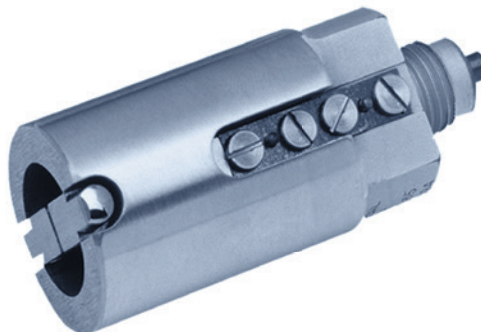
BA-100

# MaraMeter Dimentron

## Indicating Plug Gage for Through Hole

### FEATURES

- Designed for high production ID gaging
- High chrome content; hardened stainless steel bodies ground precisely for specified size measurement
- Plug tooling interchangeable for quick changeover
- Easy measurement - insert plug into diameter and read (no rocking needed)
- Set to nominal dimension with a single master ring
- Long Life
  - Tungsten carbide contacts and V-Rod ensure durable motion transfer
  - Open design is conducive to easy rinse cleaning
- Good for determining bore conditions for:
  - Taper
  - Barrel shape
  - Bell mouth
  - 2-point out-of-round
- Stop collars available for all standard sizes
- Captive V-Rod design



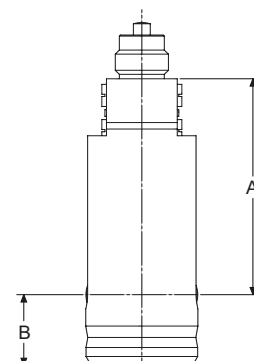
### TECHNICAL DATA

Order no.	Product type	Nominal size	Nominal size	Max. tolerance		Max. tolerance		Max. tolerance		Max. tolerance	
				erance M01	erance 050	erance M02	erance 100	erance M05	erance 200	erance M08	erance 400
		mm	inch	mm	inch	mm	inch	mm	inch	mm	inch
2058560	Dimentron	5.501	.21705	± 0.025	± .0010"	± 0.046	± .0018"	± 0.069	± .0027"	± 0.102	± .0040"
		-7.940	-.31250"								
		7.941	.31255	± 0.030	± .0012"	± 0.051	± .0020"	± 0.069	± .0027"	± 0.127	± .0050"
		-8.200	-.32200"								
2058561	Dimentron	8.201	.32205	± 0.030	± .0012"	± 0.051	± .0020"	± 0.069	± .0027"	± 0.127	± .0050"
		-9.500	-.37500"								
2058562	Dimentron	9.501	.37505	± 0.038	± .0015"	± 0.058	± .0023"	± 0.086	± .0034"	± 0.137	± .0054"
		-12.700	-.50000"								
2058563	Dimentron	12.701	.50005	± 0.038	± .0015"	± 0.069	± .0027"	± 0.102	± .0040"	± 0.165	± .0065"
		-19.050	-.75000"								
2058564	Dimentron	19.051	.75005	± 0.038	± .0015"	± 0.076	± .0030"	± 0.127	± .0050"	± 0.180	± .0071"
		-25.400	-1.00000"								
2058565	Dimentron	25.401	1.00005	± 0.038	± .0015"	± 0.076	± .0030"	± 0.152	± .0060"	± 0.221	± .0087"
		-38.000	-1.50000"								
2058566	Dimentron	38.001	1.50000 -			± 0.076	± .0030"	± 0.152	± .0060"	± 0.254	± .0100"
		- 63.5	2.50000"								
2058567	Dimentron	63.5-76.2	2.500-3.000"			± 0.076	± .0030"	± 0.152	± .0060"	± 0.254	± .0100"
2058568	Dimentron	76.2-88.9	3.000-3.500"			± 0.076	± .0030"	± 0.152	± .0060"	± 0.254	± .0100"
2058569	Dimentron	88.9-101.6	3.500-4.000"			± 0.076	± .0030"	± 0.152	± .0060"	± 0.254	± .0100"
2058570	Dimentron	101.6-114.3	4.000-4.500"			± 0.076	± .0030"	± 0.152	± .0060"	± 0.254	± .0100"

# MaraMeter Dimentron

## Indicating Plug Gage for Through Hole

Order no.	Nominal size		A mm	Dimension A		B mm	Dimension B	
	mm	inch		inch	inch			
2058560	5.501 –8.200	.21705 –0.3220"	34.8	1.37"	0.79	.031"		
	8.201 –9.500	0.3225 –.37500"						
2058561	9.501 –12.700	.37505 –.50000"	35.4	1.39"	0.79	.031"		
2058562	12.701 –19.050	.50005 –.75000"	35.4	1.39"	0.79	.031"		
2058563	19.051 –25.400	.75005 –1.00000"	48.3	1.90"	0.79	.031"		
2058564	25.401 –38.000	1.00005 –1.50000"	48.3	1.90"	0.79	.031"		
2058565	38.000 –63.000	1.50000 –2.50000"	46.7	1.84"	0.79	.031"		
2058566– 2058570	63.000 –114.300	2.50000 –4.50000"	46.7	1.84"	0.79	.031"		



### ACCESSORIES

Order no.	Product name	Type
4337620	Digital indicator, 0.0005 mm, 12.5 mm	1086 R
4337624	Digital indicator, 0.0005 mm, 12.5 mm	1086 Ri
4337660	Digital indicator, 0.0005 mm, 12.5 mm	1087 R
4337663	Digital indicator, 0.0005 mm, 12.5 mm	1087 Ri
2050829	Bore gage handle with indicator 221, grad. .0001"	550P–10
2050830	Bore gage handle with indicator P11, grad. 0,002 mm	550P–20
2203139	Adapter for handle HA–88	AT–124
2203140	Adapter for mounting Maxµm III with protective housing to bench stand BA–26	AT–125
2204032	Protective housing for Maxµm III with output	B–12668
2204599	Base with tooling plate, plug to be mounted vertically or horizontally	BA–100
2051697	Bore gage handle with digital indicator µMaxum II, res. 0,001mm / .00005"	EDI–550P–10
2051698	Bore gage handle with digital indicator µMaxum II, res. 0,0005mm / .00002"	EDI–550P–20
2213388	Handle assembly (inductive probe, HA–88 handle, AD–140 Adapter) with 1,5m/5ft. straight cable	EHA–1145
2213389	Handle assembly (inductive probe, HA–88 handle, AD–140 Adapter) with 3m/11ft. coiled cable	EHA–1146
2214119	Adapter set to mount Maxµm III indicator with 3/8" stem to a Dimentron plug	EKT–1120–W1
2214120	Adapter set to mount Maxµm III indicator with 8 mm stem to a Dimentron plug	EKT–1120–W2
2214121	Adapter set to mount dial indicators or µMaxum II with 3/8" stem to a Dimentron plug	EKT–1120–W3
2214122	Adapter set to mount dial indicators or µMaxum II with 8 mm stem to a Dimentron plug	EKT–1120–W4
2214124	Adapter set to mount dial comparators 1002 –1010 with 8 mm stem to a Dimentron plug	EKT–1120–W6
2218595	Depth extension 50mm / 1.97" for plug diameter 9,5 –19,05mm / .375 –.75"	EX–204
2218596	Depth extension 100mm / 3.94" for plug diameter 9,5 –19,05mm / .375 –.75"	EX–205
2218597	Depth extension 200mm / 7.87" for plug diameter 9,5 –19,05mm / .375 –.75"	EX–206
2218600	Depth extension 50mm / 1.97" for plug diameter 19,05mm / .75" and above	EX–210
2218601	Depth extension 100mm / 3.94" for plug diameter 19,05mm / .75" and above	EX–211
2218602	Depth extension 200mm / 7.87" for plug diameter 19,05mm / .75" and above	EX–212
2220037	Handle for Maxµm III digital transducers	HA–141
2220100	Handle to be mounted on protective housings EHG–1172 and EHG–1198 via Adapter AT–124	HA–88
2033101	Inductive digital comparator, ±1 mm/± .040", no output	Maxµm III
2033111	Inductive digital comparator, ±1 mm/± .040", with output (6-pin)	Maxµm III
2033201	Inductive digital comparator, ± mm/± .040", with data output (6-pin), "0" at 6 o'clock position	Maxµm III



Maxµm III



1086 R; 1086 R-HR; 1086 ZR



1086 Ri



1087 R; 1087 R-HR; 1087 ZR



1087 Ri



EDI-550P-10



HA-141



BA-100